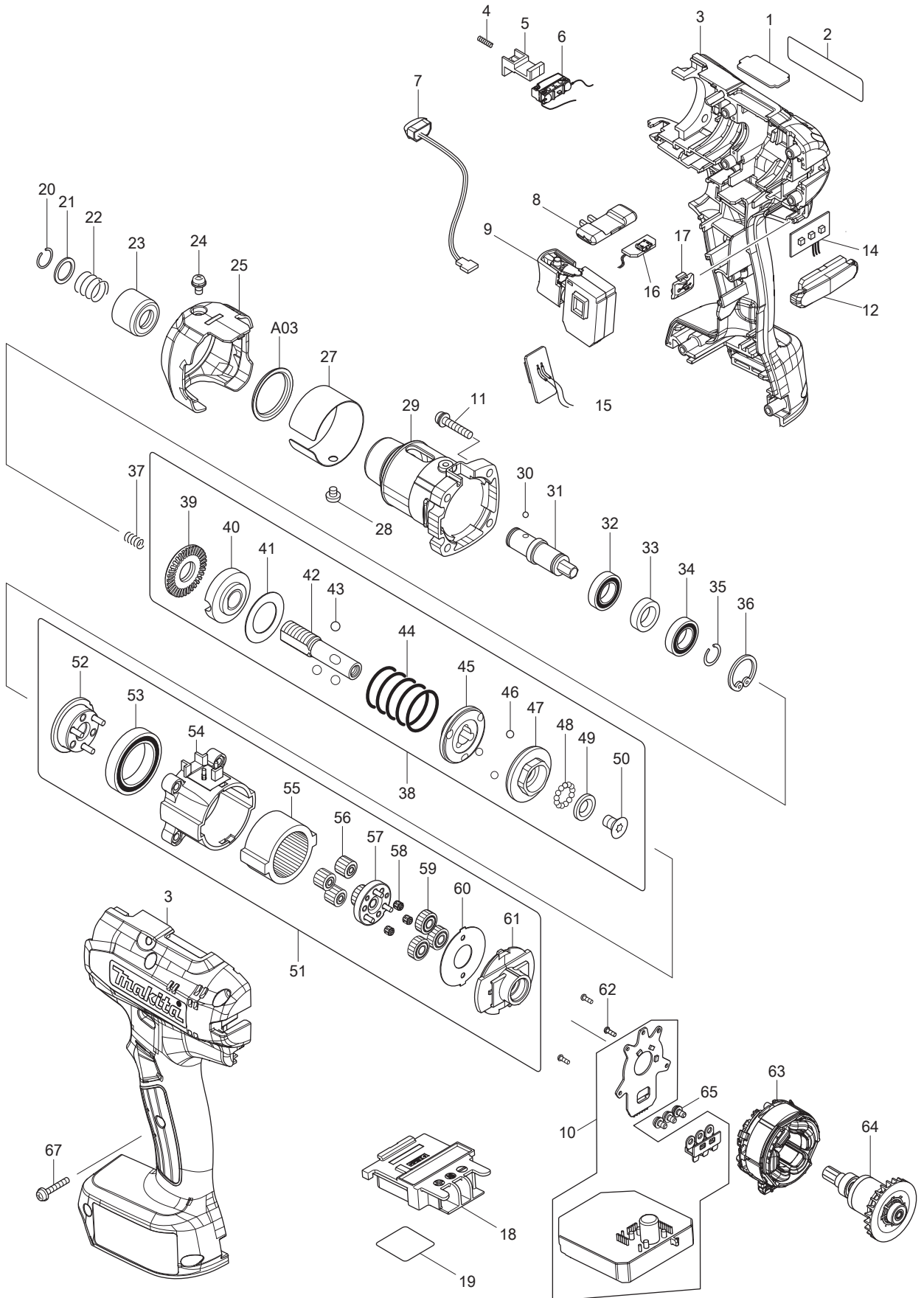




02 - 2017
DFT085FMZ
14.4V BL Screwdriver (3-8Nm)



Item No	Type	Sub	Part No	Description	Qty	Unit
001			345344-4	PLATE H, 3 - 8Nm	1	PC.
002			853A47-7	NAME PLATE F/DFT085F	1	PC.
003			183G11-3	HOUSING SET	1	SET
		INC.	263005-3	RUBBER PIN 6	2	PC.
		INC.	931002-4	HEX NUT M3	7	PC.
004			233025-1	COMPRESSION SPRING 2	1	PC.
005			418002-6	SWITCH LEVER	1	PC.
006			632K18-5	SWITCH UNIT	1	PC.
007			620521-2	LED CIRCUIT	1	PC.
008			457469-3	F/R CHANGE LEVER	1	PC.
009			651082-1	SWITCH C3JW-1B-S	1	PC.
010	1		620619-5	CONTROLLER	1	PC.
	2		620857-9	CONTROLLER	1	PC.
011			265145-3	+ PAN HEAD SCREW M4X22 WITH RESIN	4	PC.
012			457484-7	LENS	1	PC.
014			620622-6	LED CIRCUIT	1	PC.
015			620621-8	BUZZER CIRCUIT	1	PC.
016			620623-4	USB CIRCUIT	1	PC.
017			144709-5	USB COVER COMPLETE	1	PC.
018			643850-6	TERMINAL	1	PC.
019			853A50-8	SERIAL NO. LABEL F/DFT085F	1	PC.
020			231965-7	RING SPRING 10	1	PC.
021			267143-3	FLAT WASHER 11	1	PC.
022			233005-7	COMPRESSION SPRING 13	1	PC.
023			162218-2	SLEEVE	1	PC.
024			265171-2	PAN HEAD SCREW M4X8	1	PC.
025			457470-8	CLUTCH CASE COVER	1	PC.
027			345350-9	RING 38H	1	PC.
028			265127-5	+ PAN HEAD SCREW M4X4	1	PC.
029			319568-8	CLUTCH CASE	1	PC.
030			216019-1	STEEL BALL 3	2	PC.
031			324377-2	SPINDLE M	1	PC.
032			211136-2	BALL BEARING 6801LLB	1	PC.
033			257011-8	RING 12	1	PC.
034			211136-2	BALL BEARING 6801LLB	1	PC.
035			231951-8	RING SPRING 11	1	PC.
036			962111-8	RETAINING RING R-21	1	PC.
037	1		233019-6	COMPRESSION SPRING 5	1	PC.
	2		232657-1	COMPRESSION SPRING 4	1	PC.
038	1		125393-5	CLUTCH ASSY F	1	PC.
		INC.		Item No. 39-50		
	2		122B13-4	CLUTCH ASSY F	1	PC.
		INC.		Item No. 39-47		
039			324834-0	LOCK NUT M12	1	PC.
040			158408-3	ADJUST RING COMPLETE	1	PC.
041			267276-4	FLAT WASHER 18	1	PC.
042	1		324296-2	* SPINDLE	1	PC.
	2		327645-2	* SPINDLE	1	PC.
043			216018-3	STEEL BALL 5.0	3	PC.
044			233384-3	COMPRESSION SPRING 19E	1	PC.
045			223146-7	CAM D	1	PC.
046	2		216024-8	* STEEL BALL 4	10	PC.
047	2		223187-3	* CAM F	1	PC.
051			123935-9	GEAR ASSEMBLY H	1	PC.
		INC.		Item No. 52-61		
052			144382-1	CARRIER COMPLETE C	1	PC.
053			211375-4	BALL BEARING 6805LLB	1	PC.
054			418004-2	GEAR CASE	1	PC.
055			227048-9	INTERNAL GEAR 47	1	PC.

Item No	Type	Sub	Part No	Description	Qty	Unit
056			221539-2	SPUR GEAR 14	3	PC.
057			144384-7	SPUR GEAR 17 COMPLETE	1	PC.
058		2	212194-1	NEEDLE CAGE 205	3	PC.
059			227366-5	SPUR GEAR 18	3	PC.
060			267774-8	LOCK WASHER	1	PC.
061			457468-5	MOTOR BRACKET	1	PC.
062			266490-9	TAPPING SCREW PT M2X6	3	PC.
063			629262-7	STATOR	1	PC.
064			619442-3	ROTOR	1	PC.
065			652069-6	FLAT HEAD SCREW M3X6	3	PC.
067			265095-2	PAN HEAD SCREW M3X20 WITH RESIN	7	PC.
E01			808V40-2	CAUTION LABEL	1	PC.
E02			812G71-5	CAUTION LABEL	1	PC.

ACCESSORIES

- See Catalogue or visit www.makita.ca for more accessories -

A01			661432-2	USB CABLE	1	PC.
A02			765027-4	TORQUE ADJUST TOOL	1	PC.
A03			424974-5	RING 25, YELLOW	1	PC.
			424975-3	RING 25, BLUE	1	PC.
			424976-1	RING 25, RED	1	PC.
			424977-9	RING 25, BLACK	1	PC.
A04			424966-4	PLASTIC PROTECTOR, YELLOW	1	PC.
			424967-2	PLASTIC PROTECTOR, BLUE	1	PC.
			424968-0	PLASTIC PROTECTOR, RED	1	PC.
			424969-8	PLASTIC PROTECTOR, CLEAR	1	PC.
A05			281012-4	INSTALLING HOOK	1	PC.
A06			---	14.4V LI-ION BATTERY	1	PC.
A07			---	BATTERY CHARGER	1	PC.
A08			---	LI-ION BATTERY ACCESSORIES	1	PC.
A09			193874-7	GRIP BASE SET	1	PC.
A10			273443-1	GRIP 37	1	PC.

SERVICE CHANGES

1. Changes on Spindle

(T/I#DM780)

Item No.	Description	Type 1	Type 2
42	SPINDLE	324296-2	327645-2
46	STEEL BALL 4	216024-8	
47	CAM A	223139-4	-----
	CAM F	-----	223187-3
48	STEEL BALL 3	216019-1	-----
50	TORX CS HEAD SCREW M5X	266305-0	-----
49	FLAT WASHER 7	267247-1	-----

Above parts are completely interchangeable as a set.

Spindle
324296-2



Straight shape

Spindle R
327645-2



L shape